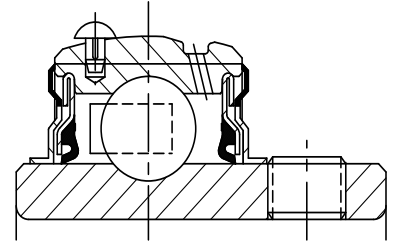
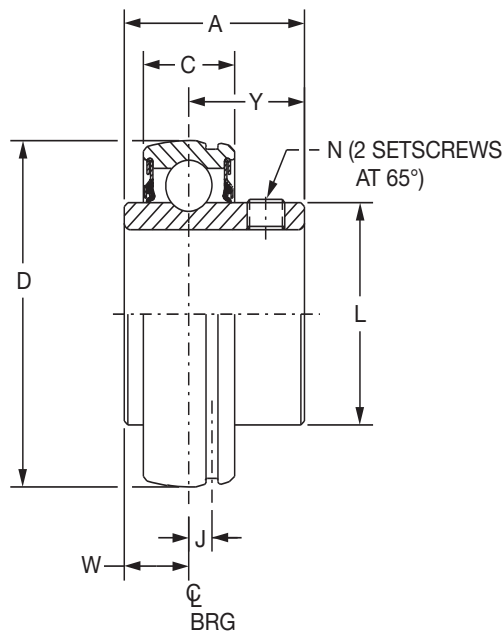




SELECTION/DIMENSIONS

Setscrew Ball Bearings SC NORMAL DUTY BEARING INSERTS



Series	Shaft Size	Standard Insert		High Temp	
		Part No.	Description	Part No.	Description
203	1/2	123328	INS-SC-008	-----	INS-SC-008-HT
	5/8	123329	INS-SC-010	-----	INS-SC-010-HT
	17mm	125800	INS-SC-17M	-----	INS-SC-17M-HT
204	1/2	123330	INS-SC-008L	@	INS-SC-008L-HT
	5/8	123331	INS-SC-010L	@	INS-SC-010L-HT
	3/4	123332	INS-SC-012	052032	INS-SC-012-HT
	13/16	074505	INS-SC-013	@	INS-SC-013-HT
	20mm	125802	INS-SC-20M	@	INS-SC-20M-HT
205	7/8	123333	INS-SC-014	068013	INS-SC-014-HT
	15/16	123334	INS-SC-015	@	INS-SC-015-HT
	1	123335	INS-SC-100	054949	INS-SC-100-HT
	25mm	125804	INS-SC-25M	@	INS-SC-25M-HT
206	1-1/16	123336	INS-SC-101	@	INS-SC-101-HT
	1-1/8	123337	INS-SC-102	@	INS-SC-102-HT
	1-3/16	123338	INS-SC-103	067902	INS-SC-103-HT
	1-1/4	123469	INS-SC-104S	@	INS-SC-104S-HT
	30mm	125806	INS-SC-30M	@	INS-SC-30M-HT
207	1-1/4	123339	INS-SC-104	053776	INS-SC-104-HT
	1-5/16	123340	INS-SC-105	057201	INS-SC-105-HT
	1-3/8	123341	INS-SC-106	057354	INS-SC-106-HT
	1-7/16	123368	INS-SC-107	052645	INS-SC-107-HT
	35mm	125808	INS-SC-35M	@	INS-SC-35M-HT

@ Assembled to order

* 20 piece minimum

FEATURES/BENEFITS PAGE B4-3	HOW TO ORDER/NOMENCLATURE PAGE B4-5	SELECTION PAGE B4-6	ACCESSORIES PAGE B4-98
--------------------------------	--	------------------------	---------------------------

SELECTION/DIMENSIONS



Setscrew Ball Bearings SC NORMAL DUTY BEARING INSERTS

Bearing Reference Guide

ULTRA KLEEN

E-Z KLEEN

Extreme Duty

Setscrew Ball Bearing

GRIP TIGHT

D-LOK Ball Bearing

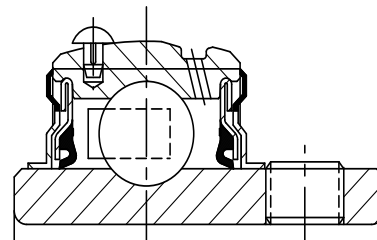
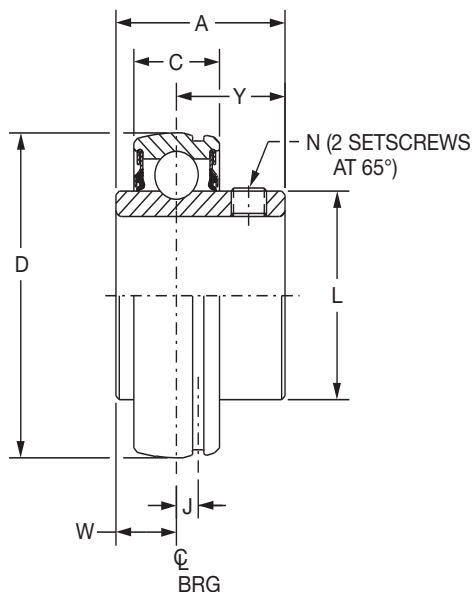
Series	Shaft Size	Weight lbs. kgs.	A	C	D	J	L	N	W	Y
203	1/2	.25	1.00	0.51	1.5748	0.15	0.96	10-32	0.36	0.64
	5/8	.23								
	17mm	.10	25.4	13.0	40.000	3.8	24.4	M5x0.8	9.1	16.3
204	1/2	.38	1.23	0.58	1.8504	0.15	1.12	1/4-28	0.50	0.73
	5/8	.35								
	3/4	.32								
	13/16	.29								
	20mm	.16	31.2	14.7	47.000	3.8	28.4	M6x1	12.7	18.5
205	7/8	.43	1.34	0.59	2.0472	0.16	1.32	1/4-28	0.56	0.78
	15/16	.40								
	1	.37								
	25mm	.18	34.0	15.0	52.000	4.1	33.5	M6x1	14.2	19.8
206	1-1/16	.67	1.52	0.69	2.4409	0.16	1.57	5/16-24	0.58	0.94
	1-1/8	.63								
	1-3/16	.60								
	1-1/4	.58								
	30mm	.27	38.6	17.5	62.000	4.1	39.9	M8x1.25	14.7	23.9
207	1-1/4	1.02	1.71	0.75	2.8346	0.20	1.84	5/16-24	0.67	1.04
	1-5/16	.97								
	1-3/8	.92								
	1-7/16	.86								
	35mm	.44	43.4	19.1	72.000	5.1	46.7	M8x1.25	17.0	26.4

FEATURES/BENEFITS PAGE B4-3	HOW TO ORDER/NOMENCLATURE PAGE B4-5	SELECTION PAGE B4-6	ACCESSORIES PAGE B4-98
--------------------------------	--	------------------------	---------------------------



SELECTION/DIMENSIONS

Setscrew Ball Bearings SC NORMAL DUTY BEARING INSERTS



Series	Shaft Size	Standard Insert		High Temp	
		Part No.	Description	Part No.	Description
208	1-1/2	123342	INS-SC-108	064149	INS-SC-108-HT
	1-5/8	123343	INS-SC-110	@	INS-SC-110-HT
	40mm	125810	INS-SC-40M	064865	INS-SC-40M-HT
209	1-5/8	045874	INS-SC-110L	@	INS-SC-110L-HT
	1-11/16	123344	INS-SC-111	053565	INS-SC-111-HT
	1-3/4	123345	INS-SC-112	@	INS-SC-112-HT
	1-13/16	054225	INS-SC-113	@	INS-SC-113-HT
	45mm	125812	INS-SC-45M	075014	INS-SC-45M-HT
210	1-15/16	123346	INS-SC-115	054019	INS-SC-115-HT
	2	123347	INS-SC-200	054431	INS-SC-200-HT
	50mm	125814	INS-SC-50M	@	INS-SC-50M-HT
211	2	123358	INS-SCM-200	058157	INS-SCM-200-HT
	2-3/16	123348	INS-SC-203	@	INS-SC-203-HT
	2-1/4	123349	INS-SC-204	@	INS-SC-204-HT
	55mm	125816	INS-SC-55M	@	INS-SC-55M-HT
212	2-1/4	123360	INS-SCM-204	073634	INS-SCM-204-HT
	2-7/16	123350	INS-SC-207	054196	INS-SC-207-HT
	60mm	125818	INS-SC-60M	057802	INS-SC-60M-HT
214	2-1/2	123362	INS-SCM-208	075714	INS-SCM-208-HT
	2-11/16	123326	INS-SC-211	@	INS-SC-211-HT
	70mm	125820	INS-SC-70M	@	INS-SC-70M-HT
215	2-15/16	123352	INS-SC-215	@	INS-SC-215-HT
	75mm	125822	INS-SC-75M	@	INS-SC-75M-HT
218	90mm	@	INS-SC-90M	@	INS-SC-90M-HT

@ Assembled to order.

FEATURES/BENEFITS PAGE B4-3	HOW TO ORDER/NOMENCLATURE PAGE B4-5	SELECTION PAGE B4-6	ACCESSORIES PAGE B4-98
--------------------------------	--	------------------------	---------------------------

Bearing Reference Guide

ULTRA KLEEN

E-Z KLEEN

Extreme Duty

Setscrew Ball Bearing

GRIP TIGHT

D-LOK Ball Bearing

SELECTION/DIMENSIONS



Setscrew Ball Bearings SC NORMAL DUTY BEARING INSERTS

Bearing Reference Guide

ULTRA KLEEN

E-Z KLEEN

Extreme Duty

Setscrew Ball Bearing

GRIP TIGHT

D-LOK Ball Bearing

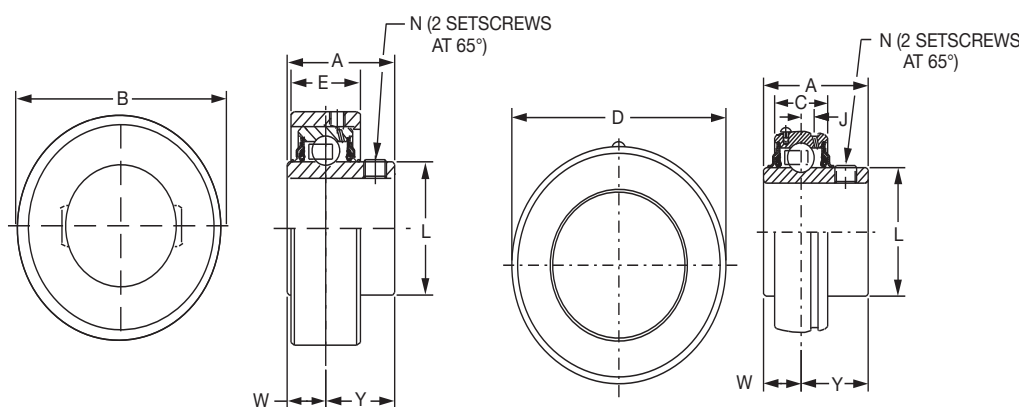
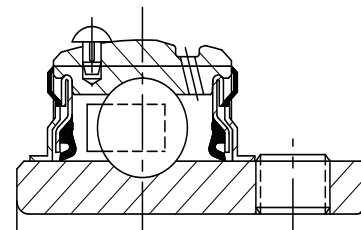
Series	Shaft Size	Weight lbs kgs.	A	C	D	J	L	N	W	Y
208	1-1/2	1.27	1.94	0.87	3.1496	0.22	2.05	5/16-24	0.75	1.19
	1-5/8	1.13								
	40mm	0.51	49.3	22.1	80.000	5.6	52.1	M8x1.25	19.1	30.2
209	1-5/8	1.49	1.94	0.87	3.3465	0.25	2.22	5/16-24	0.75	1.19
	1-11/16	1.43								
	1-3/4	1.36								
	1-13/16	1.30								
	45mm	0.62	49.3	22.1	85.000	6.4	56.4	M8x1.25	19.1	30.2
210	1-15/16	1.48	1.94	0.87	3.5433	0.25	2.43	3/8-24	0.75	1.19
	2	1.39								
	50mm	0.67	49.3	22.1	90.000	6.4	61.7	M10x1.5	19.1	30.2
211	2	2.26	2.22	0.94	3.9370	0.25	2.71	3/8-24	0.87	1.35
	2-3/16	1.97								
	2-1/4	1.87								
	55mm	0.89	56.4	23.9	100.000	6.4	68.8	M10x1.5	22.1	34.3
212	2-1/4	2.85	2.31	1.02	4.3307	0.25	2.97	3/8-24	0.90	1.41
	2-7/16	2.49								
	60mm	1.13	58.7	25.9	110.000	6.4	75.4	M10x1.5	22.9	35.8
214	2-1/2	4.25	2.54	1.10	4.9213	0.26	3.31	3/8-24	1.06	1.48
	2-11/16	3.60								
	70mm	1.63	64.5	27.9	125.000	6.6	84.1	M10x1.5	26.9	37.6
215	2-15/16	3.86	2.33	1.14	5.1181	0.28	3.62	3/8-24	0.86	1.47
	75mm	1.85	59.2	29.0	130.000	7.1	91.9	M10x1.5	21.8	37.3
218	90mm	3.30	65.0	34.0	160.000	7.6	110.5	M10x1.5	24.4	40.6

FEATURES/BENEFITS PAGE B4-3	HOW TO ORDER/NOMENCLATURE PAGE B4-5	SELECTION PAGE B4-6	ACCESSORIES PAGE B4-98
--------------------------------	--	------------------------	---------------------------



SELECTION/DIMENSIONS

Setscrew Ball Bearings SCH-E EXPANSION NORMAL DUTY BEARING INSERTS



Series	Shaft Size	Expansion	
		Part No.	Description
205	1	@	INS-SCH-100-E
	25mm	@	INS-SCH-25M-E
206	1	@	INS-SCMH-100-E
	1-1/16	@	INS-SCH-101-E
	1-1/8	@	INS-SCH-102-E
	1-3/16	126495	INS-SCH-103-E
	1-1/4	@	INS-SCH-104S-E
	30mm	049925	INS-SCH-30M-E
207	1-1/4	@	INS-SCH-104-E
	1-5/16	@	INS-SCH-105-E
	1-3/8	@	INS-SCH-106-E
	1-7/16	126496	INS-SCH-107-E
	35mm	@	INS-SCH-35M-E
209	1-1/2	@	INS-SCMH-108-E
	1-5/8	@	INS-SCH-110-E
	1-11/16	068478	INS-SCH-111-E
	1-3/4	@	INS-SCH-112-E
	45mm	@	INS-SCH-45M-E
210	1-11/16	@	INS-SCMH-111-E
	1-3/4	@	INS-SCMH-112-E
	1-15/16	126497	INS-SCH-115-E
	2	@	INS-SCH-200-E
211	50mm	@	INS-SCH-50M-E
	1-15/16	@	INS-SCMH-115-E
	2	@	INS-SCMH-200-E
	2-3/16	126498	INS-SCH-203-E
	2-1/4	@	INS-SCH-204-E
212	55mm	@	INS-SCH-55M-E
	2-3/16	@	INS-SCMH-203-E
	2-1/4	@	INS-SCMH-204-E
	2-7/16	126499	INS-SCH-207-E
	60mm	@	INS-SCH-60M-E

@Assembled to order

FEATURES/BENEFITS PAGE B4-3	HOW TO ORDER/NOMENCLATURE PAGE B4-5	SELECTION PAGE B4-6	ACCESSORIES PAGE B4-98
--------------------------------	--	------------------------	---------------------------

Bearing Reference Guide

ULTRA KLEEN

E-Z KLEEN

Extreme Duty

Setscrew Ball Bearing

GRIP TIGHT

D-LOK Ball Bearing

SELECTION/DIMENSIONS



Setscrew Ball Bearings SCH-E EXPANSION NORMAL DUTY BEARING INSERTS

Bearing Reference Guide

ULTRA KLEEN

E-Z KLEEN

Extreme Duty

Setscrew Ball Bearing

GRIP TIGHT

D-LOK Ball Bearing

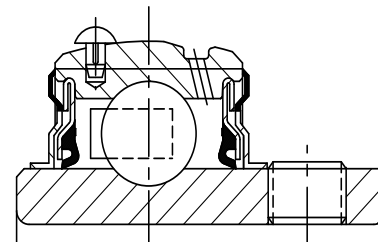
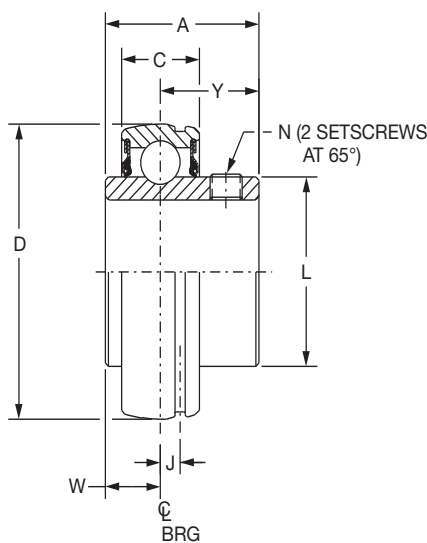
Series	Shaft Size	Weight - Expansion	Weight - Non-Exp	A	B	C	D	E	J	L	N	W	Y
		lbs. kgs.	lbs. kgs.										
205	1	0.69	0.37	1.34	2.500	.059	2.0472	0.77	0.16	1.32	1/4-28	0.56	0.78
	25mm	0.31	0.17	34.0	63.50	15.0	52.000	19.6	4.1	33.5	M6x1	14.2	19.8
206	1	1.29	0.69	1.52	2.875	0.69	2.4409	0.94	0.16	1.57	5/16-24	0.58	0.94
	1-1/16	1.26	0.66										
	1-1/8	1.23	0.63										
	1-3/16	1.20	0.60										
	1-1/4	1.18	0.58										
	30mm	0.54	0.26	38.6	73.03	17.5	62.000	23.9	4.1	39.9	M8x1.25	14.7	23.9
207	1-1/4	1.50	1.02	1.71	3.272	0.75	2.8346	1.00	0.20	1.84	5/16-24	0.67	1.04
	1-5/16	1.49	0.97										
	1-3/8	1.48	0.92										
	1-7/16	1.47	0.86										
	35mm	0.67	0.44	43.4	83.11	19.1	72.000	25.4	5.1	46.7	M8x1.25	17.0	26.4
209	1-1/2	2.51	1.62	1.94	3.813	0.87	3.3465	1.20	0.25	2.22	5/16-24	0.75	1.19
	1-5/8	2.48	1.49										
	1-11/16	2.45	1.43										
	1-3/4	2.43	1.36										
	45mm	1.10	1.30	49.3	96.85	22.1	85.000	30.5	6.4	56.4	M8x1.25	19.1	30.2
210	1-11/16	2.56	1.82	1.94	4.000	0.87	3.5433	1.36	0.25	2.43	3/8-24	0.75	1.19
	1-3/4	2.53	1.74										
	1-15/16	2.50	1.48										
	2	2.48	1.39										
	50mm	1.13	0.67	49.3	101.60	22.1	90.000	34.5	6.4	61.7	M10x1.5	19.1	30.2
211	1-15/16	3.46	2.36	2.22	4.475	0.94	3.9370	1.38	0.25	2.71	3/8-24	0.87	1.35
	2	3.43	2.26										
	2-3/16	3.40	1.97										
	2-1/4	3.38	1.87										
	55mm	1.53	0.89	56.4	113.67	23.9	100.000	35.1	6.4	68.8	M10x1.5	22.1	34.3
212	2-3/16	4.56	2.97	2.31	5.035	1.02	4.3307	1.55	0.25	2.97	3/8-24	0.90	1.41
	2-1/4	4.53	2.85										
	2-7/16	4.50	2.49										
	60mm	2.04	1.13	58.7	127.89	25.9	110.000	39.4	6.4	75.4	M10x1.5	22.9	35.8

FEATURES/BENEFITS PAGE B4-3	HOW TO ORDER/NOMENCLATURE PAGE B4-5	SELECTION PAGE B4-6	ACCESSORIES PAGE B4-98
--------------------------------	--	------------------------	---------------------------



SELECTION/DIMENSIONS

Setscrew Ball Bearings SCM MEDIUM DUTY BEARING INSERTS



Series	Shaft Size	Standard Insert		High Temp	
		Part No.	Description	Part No.	Description
206	1	123419	INS-SCM-100	@	INS-SCM-100-HT
	25mm	125825	INS-SCM-25M	@	INS-SCM-25M-HT
207	1-3/16	123420	INS-SCM-103	@	INS-SCM-103-HT
	1-1/4	123339	INS-SC-104	053776	INS-SC-104-HT
208	30mm	125826	INS-SCM-30M	@	INS-SCM-30M-HT
	1-7/16	123353	INS-SCM-107	049945	INS-SCM-107-HT
	1-1/2#	123342	INS-SC-108	064149	INS-SC-108-HT
209	35mm	125828	INS-SCM-35M	@	INS-SCM-35M-HT
	1-1/2	123354	INS-SCM-108	068889	INS-SCM-108-HT
	1-5/8	045874	INS-SC-110L	@	INS-SC-110L-HT
210	40mm	125830	INS-SCM-40M	@	INS-SCM-40M-HT
	1-11/16	123355	INS-SCM-111	@	INS-SCM-111-HT
	1-3/4	123356	INS-SCM-112	@	INS-SCM-112-HT
211	45mm	125832	INS-SCM-45M	@	INS-SCM-45M-HT
	1-15/16	123357	INS-SCM-115	068404	INS-SCM-115-HT
	2	123358	INS-SCM-200	058157	INS-SCM-200-HT
212	50mm	125834	INS-SCM-50M	@	INS-SCM-50M-HT
	2-3/16	123359	INS-SCM-203	@	INS-SCM-203-HT
	2-1/4	123360	INS-SCM-204	073634	INS-SCM-204-HT
214	55mm	125836	INS-SCM-55M	@	INS-SCM-55M-HT
	2-7/16	123361	INS-SCM-207	056912	INS-SCM-207-HT
	2-1/2	123362	INS-SCM-208	075714	INS-SCM-208-HT
215	60mm	125838	INS-SCM-65M	@	INS-SCM-65M-HT
	2-11/16	123363	INS-SCM-211	@	INS-SCM-211-HT
	70mm	125840	INS-SCM-70M	@	INS-SCM-70M-HT
216	2-15/16	123364	INS-SCM-215	049918	INS-SCM-215-HT
	3	123365	INS-SCM-300	@	INS-SCM-300-HT
	75mm	125842	INS-SCM-75M	@	INS-SCM-75M-HT
218	3-7/16	123366	INS-SCM-307	@	INS-SCM-307-HT
	3-1/2	123367	INS-SCM-308	@	INS-SCM-308-HT
	85mm	125844	INS-SCM-85M	062570	INS-SCM-85M-HT

@ Assembled to order

SCM Piloted Flange Only

FEATURES/BENEFITS PAGE B4-3	HOW TO ORDER/NOMENCLATURE PAGE B4-5	SELECTION PAGE B4-6	ACCESSORIES PAGE B4-98
--------------------------------	--	------------------------	---------------------------

Bearing Reference Guide

ULTRA KLEEN

E-Z KLEEN

Extreme Duty

Setscrew Ball Bearing

GRIP TIGHT

D-LOK Ball Bearing

SELECTION/DIMENSIONS



Setscrew Ball Bearings SCM MEDIUM DUTY BEARING INSERTS

Bearing Reference Guide

ULTRA KLEEN

E-Z KLEEN

Extreme Duty

Setscrew Ball Bearing

GRIP TIGHT

D-LOK Ball Bearing

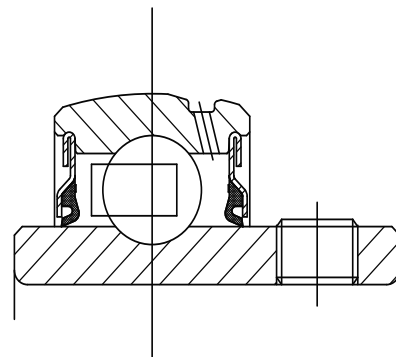
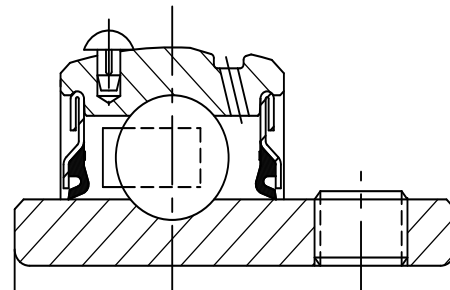
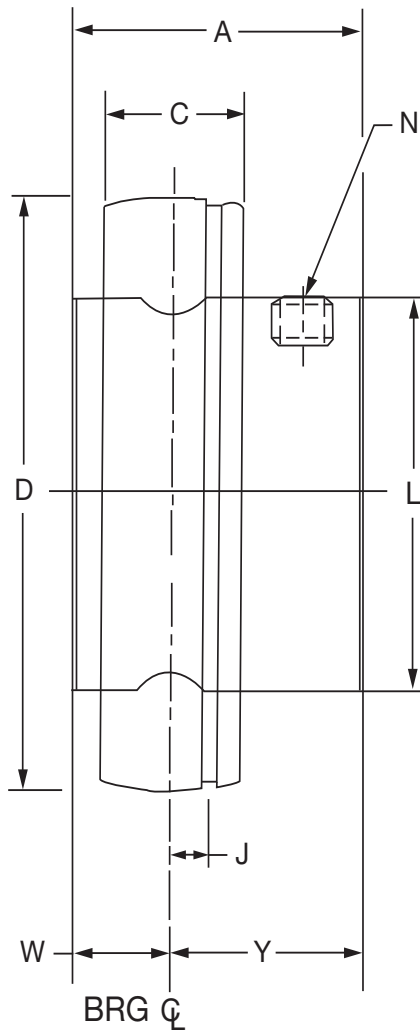
Series	Shaft Size	Weight lbs. kgs.	A	C	D	J	L	N	W	Y
206	1	0.71	1.52	0.69	2.4409	0.16	1.57	5/16-24	0.58	0.94
	25mm	0.32	38.6	17.5	62.000	4.1	39.9	M8x1.25	14.7	23.9
207	1-3/16	1.07	1.71	0.75	2.8346	0.20	1.84	5/16-24	0.67	1.04
	1-1/4 30mm	1.02 0.53	43.4	19.1	72.000	5.1	46.7	M8x1.25	17.0	26.4
208	1-7/16	1.32	1.94	0.87	3.1496	0.22	2.05	5/16-24	0.75	1.19
	1-1/2# 35mm	1.27 0.60	49.3	22.1	80.000	5.6	52.1	M8x1.25	19.1	30.2
209	1-1/2	1.62	1.94	0.87	3.3465	0.25	2.22	5/16-24	0.75	1.19
	1-5/8 40mm	1.49 0.71	49.3	22.1	85.000	6.4	56.4	M8x1.25	19.1	30.2
210	1-11/16	1.82	1.94	0.87	3.5433	0.25	2.43	3/8-24	0.75	1.19
	1-3/4 45mm	1.74 0.76	49.3	22.1	90.000	6.4	61.7	M10x1.5	19.1	30.2
211	1-15/16	2.36	2.22	0.94	3.9370	0.25	2.71	3/8-24	0.87	1.35
	2 50mm	2.26 1.03	56.4	23.9	100.000	6.4	68.8	M10x1.5	22.1	34.3
212	2-3/16	2.97	2.31	1.02	4.3307	0.25	2.97	3/8-24	0.90	1.41
	2-1/4 55mm	2.85 1.27	58.7	25.9	110.000	6.4	75.4	M10x1.5	22.9	35.8
214	2-7/16	4.39	2.54	1.10	4.9213	0.26	3.31	3/8-24	1.06	1.48
	2-1/2 60mm	4.25 1.86	64.5	27.9	125.000	6.6	84.1	M10x1.5	26.9	37.6
215	2-11/16	4.49	2.33	1.14	5.1181	0.28	3.62	3/8-24	0.86	1.47
	70mm	1.98	59.2	29.0	130.000	7.1	91.9	M10x1.5	21.8	37.3
216	2-15/16	5.54	2.38	1.18	5.5118	0.29	3.83	3/8-24	0.88	1.50
	3 75mm	5.52 2.51	60.5	30.0	140.000	7.4	97.3	M10x1.5	22.4	38.1
218	3-7/16	7.35	2.56	1.34	6.2992	0.30	4.35	3/8-24	0.96	1.60
	3-1/2 85mm	7.33 3.33	65.0	34.0	160.000	7.6	110.5	M10x1.5	24.4	40.6

FEATURES/BENEFITS PAGE B4-3	HOW TO ORDER/NOMENCLATURE PAGE B4-5	SELECTION PAGE B4-6	ACCESSORIES PAGE B4-98
--------------------------------	--	------------------------	---------------------------



SELECTION/DIMENSIONS

Setscrew Ball Bearings LF/LFT/SL BEARING INSERTS



FEATURES/BENEFITS
PAGE B4-3

HOW TO ORDER/NOMENCLATURE
PAGE B4-5

SELECTION
PAGE B4-6

ACCESSORIES
PAGE B4-98

B4-96

SELECTION/DIMENSIONS



Setscrew Ball Bearings LF/LFT/SL BEARING INSERTS

Series	Shaft Size	With Pin		Without Pin	
		Part No.	Description	Part No.	Description
203	1/2	123328	INS-SC-008	389923	INS-SCS-008
	5/8	123329	INS-SC-010	389924	INS-SCS-010
	17mm	125800	INS-SC-17M	125636	INS-SCS-17M
204	3/4	077976	INS-SCP-012	077940	INS-SCS-012
	20mm	077993	INS-SCP-20M	077957	INS-SCS-20M
205	7/8	077977	INS-SCP-014	077941	INS-SCS-014
	15/16	077978	INS-SCP-015	077942	INS-SCS-015
	1	077979	INS-SCP-100	077943	INS-SCS-100
	25mm	077994	INS-SCP-25M	077958	INS-SCS-25M
206	1-1/16	077980	INS-SCP-101	077944	INS-SCS-101
	1-1/8	077981	INS-SCP-102	077945	INS-SCS-102
	1-3/16	077982	INS-SCP-103	077946	INS-SCS-103
	1-1/4	077983	INS-SCP-104S	077947	INS-SCS-104S
	30mm	077995	INS-SCP-30M	077959	INS-SCS-30M
207	1-1/4	077984	INS-SCP-104	077948	INS-SCS-104
	1-5/16	077921	INS-SCP-105	077923	INS-SCS-105
	1-3/8	077985	INS-SCP-106	077949	INS-SCS-106
	1-7/16	077986	INS-SCP-107	077950	INS-SCS-107
	35mm	077996	INS-SCP-35M	077960	INS-SCS-35M

Series	Shaft Size	Weight lbs kg	A	C	D	J	L	N	W	Y	Capacity, lbs	
											Static	Dynamic
203	1/2	0.23	1.00	0.51	1.5748	0.15	0.96	10-32	0.36	0.64	1079	2158
	5/8	0.21										
	17mm	0.10	25.4	13.0	40.000	3.80	24.4	M5x0.8	9.10	16.3		
204	3/4	0.25	1.02	0.58	1.8504	0.15	1.12	1/4-28	0.29	0.73	1482	2899
	20mm	0.11	25.9	14.7	47.000	3.80	28.4	M6x1	7.40	18.5		
205	7/8	0.41	1.06	0.59	2.0472	0.16	1.32	1/4-28	0.30	0.76	1769	3146
	15/16	0.38										
	1	0.25										
	25mm	0.17	26.9	15.0	52.000	4.10	33.5	M6x1	7.60	19.3		
206	1-1/16	0.64	1.26	0.69	2.4409	0.16	1.57	5/16-24	0.35	0.91	2538	4368
	1-1/8	0.61										
	1-3/16	0.58										
	1-1/4	0.56										
	30mm	0.25	32.0	17.5	62.000	4.10	39.9	M8x1.25	8.90	23.1		
207	1-1/4	0.92	1.40	0.75	2.8346	0.20	1.84	5/16-24	0.37	1.03	3461	5759
	1-5/16	0.90										
	1-3/8	0.88										
	1-7/16	0.75										
	35mm	0.38	35.6	19.1	72.000	5.10	46.7	M8x1.25	9.40	26.2		

FEATURES/BENEFITS PAGE B4-3	HOW TO ORDER/NOMENCLATURE PAGE B4-5	SELECTION PAGE B4-6	ACCESSORIES PAGE B4-98
--------------------------------	--	------------------------	---------------------------